



AUTHORIZATION TO MARK

This authorizes the application of the Certification Mark(s) shown below to the Product Covered described below herein when made in accordance with the authorized Listing Report, including Manufacturing/Machining Specifications, and under conditions set forth in the Certification Agreement and Listing Report, including Manufacturing/Machining Specifications. This authorization also applies to the Multiple Listee model(s) identified on the correlation page of the Listing Report.

Client Number: 225560

Report Number: G100252414COQ-005

Evaluation Center:

Intertek (Coquitlam)

Applicant/Basic Listee:

Pyrophobic Systems Ltd
649 Welham Road
Barrie, ON, L4M 6E7
Canada

John Page
705-730-0830
705-730-0855

Product Covered:

Pyrophobic Fire Block - Fire Suppression Gasketing Systems

Testing Standards:

:CAN / ULC S115 (2005):ASTM E814 (2010)

This document is the property of Intertek Testing Services and is not transferable. Only the Applicant may reproduce this document. The Certification Mark(s) may be applied only at the above noted location of the Party Authorized to Apply the Mark(s).



This document supersedes all previous Authorizations to Mark for the noted Report Number.

This Authorization to Mark is for the exclusive use of Intertek's Client and is provided pursuant to the Certification agreement between Intertek and its Client. Intertek's responsibility and liability are limited to the terms and conditions of the agreement. Intertek assumes no liability to any party, other than to the Client in accordance with the agreement, for any loss, expense or damage occasioned by the use of this Authorization to Mark. Only the Client is authorized to permit copying or distribution of this Authorization to Mark and then only in its entirety. Use of Intertek's Certification mark is restricted to the conditions laid out in the agreement and in this Authorization to Mark. Any further use of the Intertek name for the sale or advertisement of the tested material, product or service must first be approved in writing by Intertek. Initial Factory Assessments and Follow up Services are for the purpose of assuring appropriate usage of the Certification mark in accordance with the agreement, they are not for the purposes of production quality control and do not relieve the Client of their obligations in this respect.

Authorized By: 
_____ **Bob Davison, Director, Certification Services**

Date: 03/30/2011

Intertek Testing Services NA, Ltd.
3210 American Drive, Mississauga, ON L4V 1B3 Canada
Phone 905-678-7820 Fax 905-678-7131

Listing Section(s): FIRESTOP SYSTEMS

CSI Code: 07 84 00 Firestopping

Description:

Pyrophobic Fire Block - Fire Suppression Gasketing Systems are gypsum penetrating intemescing pads for use in gang metal outlet boxes used with metal conduits, or no conduits for housing electrical wiring in stud cavities.

The Pyrophobic Fire Block - Fire Suppression Gasketing Systems maintain fire resistance ratings of penetrating electrical outlet boxes in fire rated wall assemblies detailed in this Intertek certification listing.

RATINGS

Pyrophobic Fire Block - Fire Suppression Gasketing Systems provide the fire resistance ratings in accordance with ASTM E814-08 and CAN/ULC S115-05 as noted in Table 1 and Table 2 below.

Table 1. - 1 Hour Fire Resistance Ratings for Pyrophobic Fire Block - Fire Suppression Gasketing Systems Gang Outlet Boxes

PRODUCT	F RATING	T RATING	H RATING
Pyrophobic Fire Block - Fire Suppression Gasketing Systems Gang Outlet Boxes with Wood Studs	60 minutes	60 Minutes	60 Minutes
Pyrophobic Fire Block - Fire Suppression Gasketing Systems Gang Outlet Boxes with Steel Studs	60 minutes	60 Minutes	60 Minutes

Table 2. - 2 Hour Fire Resistance Ratings for Pyrophobic Fire Block - Fire Suppression Gasketing Systems Gang Outlet Boxes

PRODUCT	F RATING	T RATING	H RATING
Pyrophobic Fire Block - Fire Suppression Gasketing Systems Gang Outlet Boxes with Steel Studs	120 minutes	120 Minutes	120 Minutes

Pyrophobic PSL/PHV 60-01 1 Hour Fire Rating / 1 Hour T Rating / 1 Hour H Rating Design: Design is

outlined in Intertek design listing PSL/PHV 60-01 found in this listing.

Pyrophobic PSL/PHV 60-02 1 Hour Fire Rating / 1 Hour T Rating / 1 Hour H Rating Design: Design is outlined in Intertek design listing PSL/PHV 60-02 found in this listing.

Pyrophobic PSL/PHV 120-01 2 Hour Fire Rating / 2 Hour T Rating / 2 Hour H Rating Design: Design is outlined in Intertek design listing PSL/PHV 120-01 found in this listing.

LIMITATIONS OF USE

Pyrophobic Fire Block - Fire Suppression Gasketing Systems are certified for use with metal conduits, or no conduits housing electrical wiring.

Pyrophobic Fire Block - Fire Suppression Gasketing Systems are not rated for use when used with combustibles housing electrical wiring in the stud cavity, including but not limited to: CPVC, PVC, ABS, PE or PP piping.

**Party(s) Authorized by
Manufacturer To Apply Mark:**

None

**Party(s) Authorized by Other Parties To Apply
Mark:**

None

DRAWING INDEX

PSL/PH 120-01 - 2 Hour Electrical Box Non Load Bearing Assembly

PSL/PH 60-01 - 1 Hour Electrical Box Non Load Bearing Assembly Wood Studs

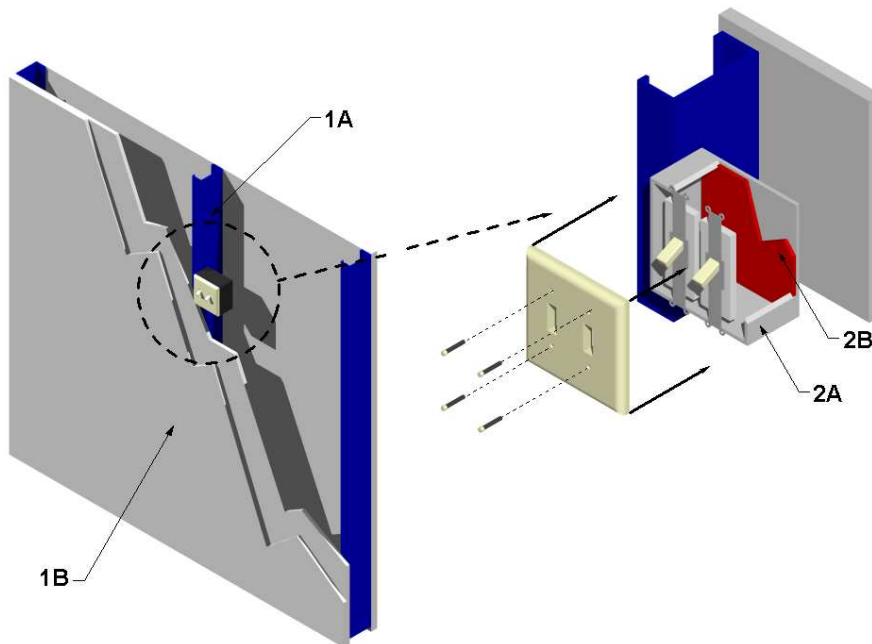
PSL/PH 60-02 - 1 Hour Electrical Box Non Load Bearing Assembly Steel Studs

PSL/PH 120-01 - 2 Hour Electrical Box Non Load Bearing Assembly

Division 07 Thermal and Moisture Protection
07 84 00 Firestopping
07 84 13 Penetration Firestopping

Page 1 of 2

PYROPHOBIC SYSTEMS LIMITED
2 Hour Non Load Bearing Fire Rated Gang Metal Outlet Box
PSL/PH 120-01
ASTM E 814-10, CAN/ULC S115-05
F-Rating: 2 Hours, T-Rating: 2 Hours, H-Rating: 2 Hours



1. **Wall Assembly** – Use 2-hour fire rated wall assembly consisting of the following:

- A. **STEEL STUDS (NON LOAD BEARING ASSEMBLIES ONLY)** – Minimum 26 gauge steel studs located at maximum 16 in. o.c.

- B. **GYPSUM BOARD** - Cover studs and plates with two layers of 5/8 in. thick, Type X gypsum wallboard on each face. First layer was fastened gypsum wallboard to steel studs with min. 1 5/8 in. Type S drywall screws spaced max. 16 in. o.c. Second layer fastened gypsum wallboard to steel studs with min. 2 in. Type S drywall screws spaced

max. 8 in. o.c. around the perimeter and 12 in. o.c. across the field. Joint Tape and Compound (Not Shown) – Apply vinyl or casein, dry or premixed joint compound to face layers of gypsum wallboard in two coats to all exposed screw heads and gypsum wallboard joints. Embed min. 2 in. wide paper, plastic or fiberglass tape in first layer of compound over joints in gypsum wallboard.

- C. (Not Shown) **Insulation (Optional)** – Minimum R12 Mineral Fibre Insulation.

Date March 7, 2011
Project No: G10025241COQ-005c

Intertek

PSL/PH 120-01 - 2 Hour Electrical Box Non Load Bearing Assembly (page 2 of 2)

Division 07 Thermal and Moisture Protection

07 84 00 Firestopping

07 84 13 Penetration Firestopping

Page 2 of 2

2. **Penetrating Item** – Incorporate the following construction features:

CERTIFIED MANUFACTURER:
PYROPHOBIC SYSTEMS

CERTIFIED PRODUCT: FIRE BLOCK –
FIRE SUPPRESSION GASKETS FOR
GANG OUTLET BOX (Box W x H x
Depth Dimensions: 4 inch x 4 inch x 2
1/8 inch) for use with Metal Conduit or
No Conduit Only

Install the Gang Metal Outlet Box
including:

- A. 4 inch x 4 inch x 2 1/8 inch depth
Gang Metal outlet box.
- B. Pyrophobic Fire Block – Fire
Suppression Gasket Intumescent
Pads (Pad W x H x Depth
Dimensions: 4 inch x 4 inch x 1/8
inch thick) press fit into gang metal
outlet box.
- C. (Not Shown): Cover gang metal
outlet box with code prescribed light
switch and cover plates or outlet
box cover.
- D. (Not Shown Optional): Metal
conduit pipe corrugated or smooth
allowed in stud cavity for electrical
wire housing. **NO COMBUSTIBLE
CONDUIT IS APPROVED FOR
USE.**

Date March 7, 2011
Project No: G10025241COQ-005c

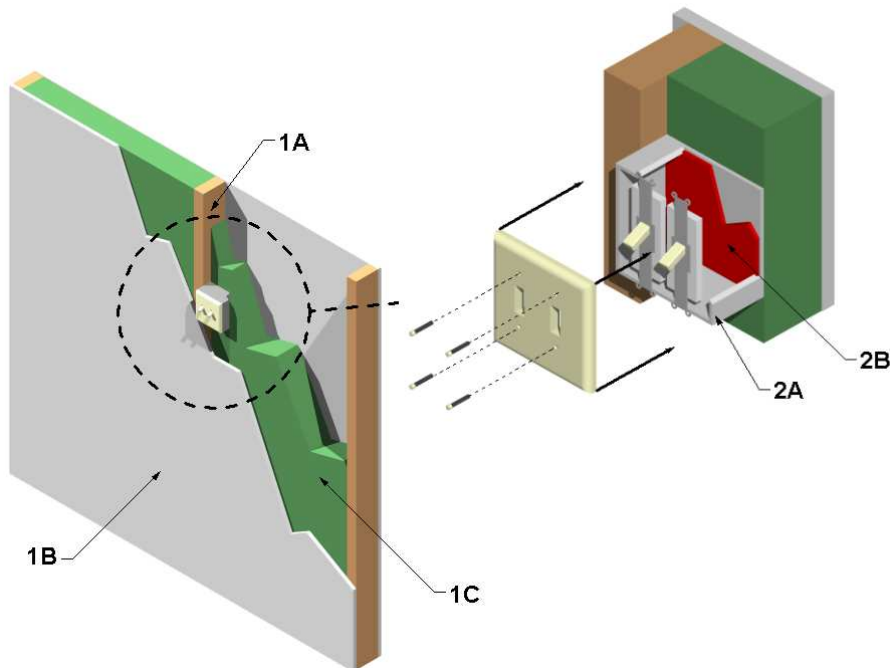


PSL/PH 60-01 - 1 Hour Electrical Box Non Load Bearing Assembly Wood Studs

Division 07 Thermal and Moisture Protection
07 84 00 Firestopping
07 84 13 Penetration Firestopping

Page 1 of 2

PYROPHOBIC SYSTEMS LIMITED
1 Hour Non Load Bearing Fire Rated Gang Metal Outlet Box
PSL/PH 60-01
ASTM E 814-10, CAN/ULC S115-05
F-Rating: 1 Hour, T-Rating: 1 Hour. H-Rating: 1 Hour



1. **Wall Assembly** – Use 1-hour fire rated wall assembly consisting of the following:

- A. **WOOD STUDS** – Nom. 2 x 4 wood studs spaced max. 16 in. o.c. between double top plates and a single bottom plate. Attach studs with min. 16d framing nails to 2 x 4 floor and ceiling plates.
- B. **GYPSUM BOARD** - Cover studs and plates with one layer of 5/8 in. thick, Type X gypsum wallboard on each face. Fasten gypsum wallboard to studs with min. 1 5/8 in. Coarse thread Drywall screws spaced max. 12 in. o.c. around the

perimeter and across the field. Joint Tape and Compound (Not Shown) – Apply vinyl or casein, dry or premixed joint compound to face layers of gypsum wallboard in two coats to all exposed screw heads and gypsum wallboard joints. Embed min. 2 in. wide paper, plastic or fiberglass tape in first layer of compound over joints in gypsum wallboard.

- C. **INSULATION** – Minimum R14 nominal 2.5 lbs/ft³ mineral fiber insulation friction fit into stud cavity.

Date March 7, 2011
Project No: G10025241COQ-005c

Intertek

©Intertek

PSL/PH 60-01 - 1 Hour Electrical Box Non Load Bearing Assembly Wood Studs (page 2 of 2)

Division 07 Thermal and Moisture Protection
07 84 00 Firestopping
07 84 13 Penetration Firestopping

Page 2 of 2

2. **Penetrating Item** – Incorporate the following construction features:

CERTIFIED MANUFACTURER:
PYROPHOBIC SYSTEMS

CERTIFIED PRODUCT: FIRE BLOCK –
FIRE SUPPRESSION GASKETS FOR
GANG OUTLET BOX (Box W x H x
Depth Dimensions: 4 inch x 4 inch x 2
1/8 inch) for use with Metal Conduit or
No Conduit Only

Install the Gang Metal Outlet Box including:

- A. 4 inch x 4 inch x 2 1/8 inch depth Gang Metal outlet box.
- B. Pyrophobic Fire Block – Fire Suppression Gasket Intumescent Pads (Pad W x H x Depth Dimensions: 4 inch x 4 inch x 1/8 inch thick) press fit into gang metal outlet box.
- C. (Not Shown): Cover gang metal outlet box with code prescribed light switch and cover plates or outlet box cover.
- D. (Not Shown Optional): Metal conduit pipe corrugated or smooth allowed in stud cavity for electrical wire housing. NO COMBUSTIBLE CONDUIT IS APPROVED FOR USE.

Date March 7, 2011
Project No: G10025241COQ-005c



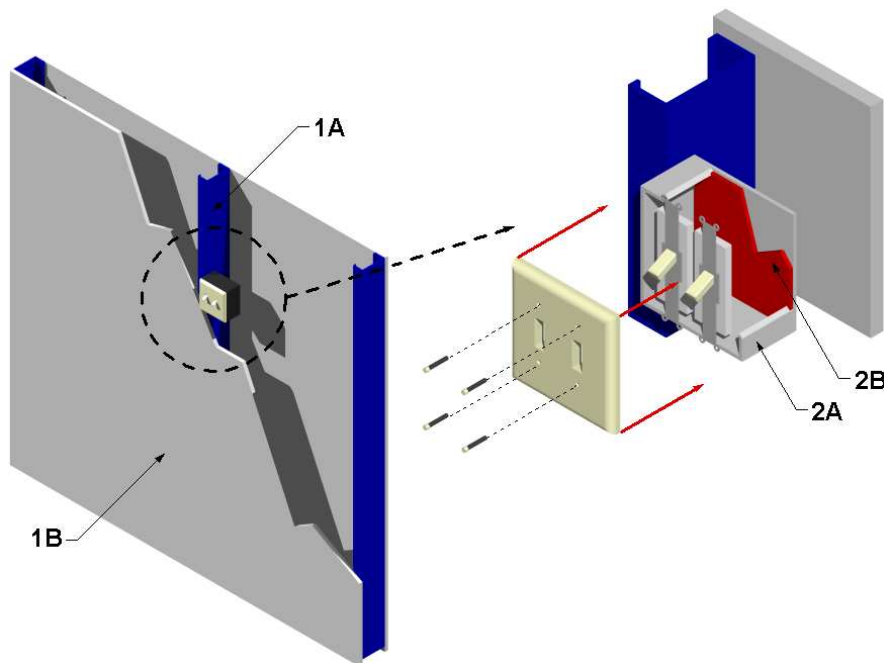
©Intertek

PSL/PH 60-02 - 1 Hour Electrical Box Non Load Bearing Assembly Steel Studs

Division 07 Thermal and Moisture Protection
07 84 00 Firestopping
07 84 13 Penetration Firestopping

Page 1 of 2

PYROPHOBIC SYSTEMS LIMITED
1 Hour Non Load Bearing Fire Rated Gang Metal Outlet Box
PSL/PH 60-02
ASTM E 814-10, CAN/ULC S115-05
F-Rating: 1 Hour, T-Rating: 1 Hour, H-Rating: 1 Hour



1. **Wall Assembly** – Use 1-hour fire rated wall assembly consisting of the following:

A. **STEEL STUDS (NON LOAD BEARING ASSEMBLIES ONLY)** – Minimum 26 gauge steel studs located at 16 in. o.c.

B. **GYPSUM BOARD** - Cover studs and plates with one layer of 5/8 in. thick, Type X gypsum wallboard on each face. Fasten gypsum wallboard to studs with min. 1 5/8 in. Type S Drywall screws spaced max. 8 in. o.c. around the perimeter and 12 in. o.c. across the field. Joint Tape and Compound (Not Shown) – Apply vinyl or casein, dry or

premixed joint compound to face layers of gypsum wallboard in two coats to all exposed screw heads and gypsum wallboard joints. Embed min. 2 in. wide paper, plastic or fiberglass tape in first layer of compound over joints in gypsum wallboard.

C. **INSULATION (Optional)** – Mineral fiber insulation friction fit into stud cavity.

Date March 7, 2011
Project No: G10025241COQ-005c

Intertek

©Intertek

PSL/PH 60-02 - 1 Hour Electrical Box Non Load Bearing Assembly Steel Studs (page 2 of 2)

Division 07 Thermal and Moisture Protection
07 84 00 Firestopping
07 84 13 Penetration Firestopping

Page 2 of 2

2. **Penetrating Item** – Incorporate the following construction features:

CERTIFIED MANUFACTURER:
PYROPHOBIC SYSTEMS

CERTIFIED PRODUCT: FIRE BLOCK –
FIRE SURPRESSION GASKETS FOR
GANG OUTLET BOX (Box W x H x
Depth Dimensions: 4 inch x 4 inch x 2
1/8 inch) for use with Metal Conduit or
No Conduit Only.

Install the Gang Metal Outlet Box
including:

- A. 4 inch x 4 inch x 2 1/8 inch depth
Gang Metal outlet box.
- B. Pyrophobic Fire Block – Fire
Suppression Gasket Intumescent
Pads (Pad W x H x Depth
Dimensions: 4 inch x 4 inch x 1/8
inch thick) press fit into gang metal
outlet box.
- C. (Not Shown): Cover gang metal
outlet box with code prescribed light
switch and cover plates or outlet
box cover.
- D. (Not Shown Optional): Metal
conduit pipe corrugated or smooth
allowed in stud cavity for electrical
wire housing. NO COMBUSTIBLE
CONDUIT IS APPROVED FOR
USE.

Date March 7, 2011
Project No: G10025241COQ-005c



©Intertek